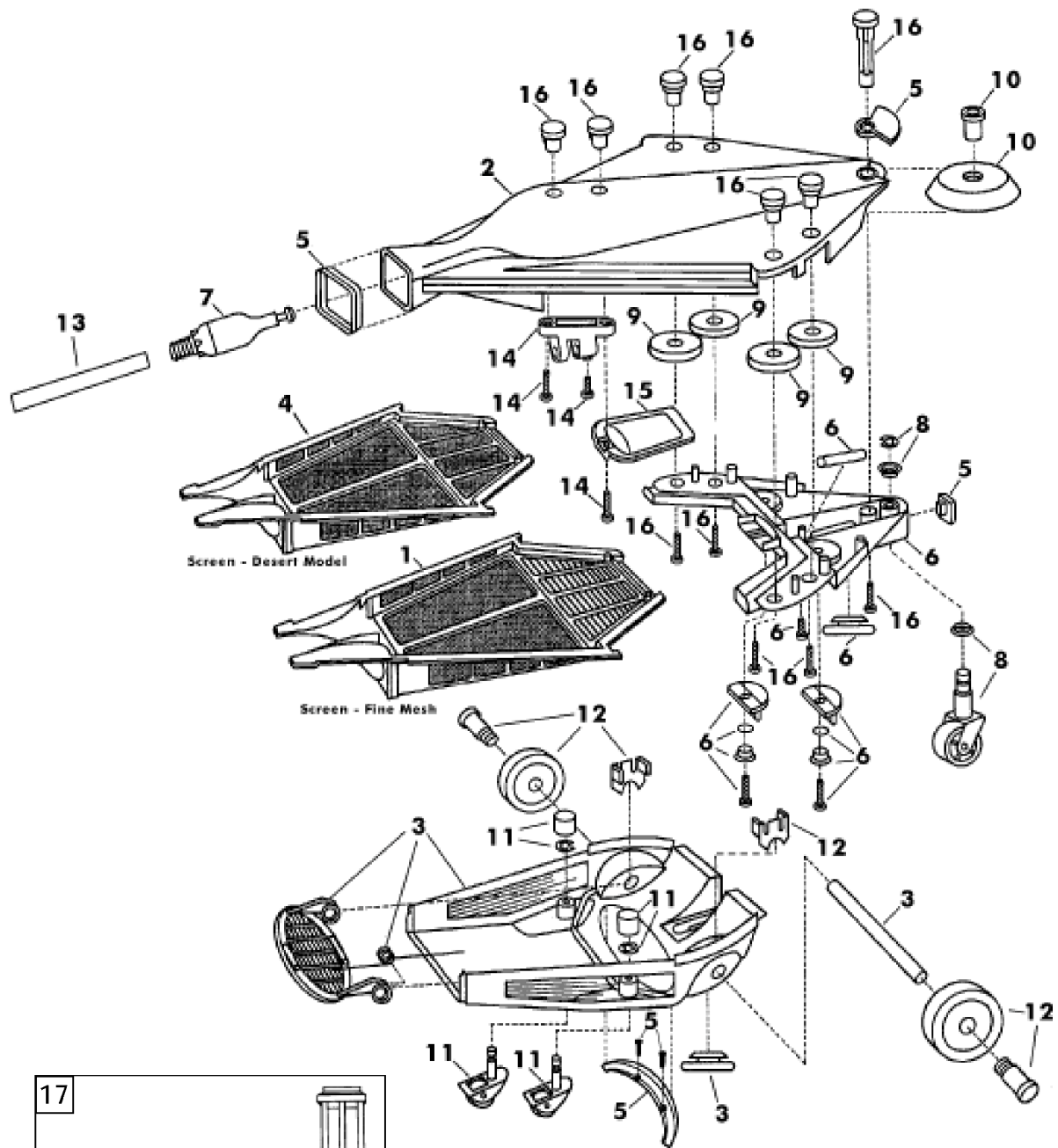


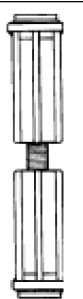
Gunite, Ray-Vac and Ray-Vac/Desert Model Head Diagram



17

#R0377900
Skimmer Guard Kit, Standard
(5" min - 7 3/4" max)

#R0377800
Skimmer Guard Kit, Tall
(7 3/4" min - 10" max)



18

#R0380600



E-ring Kit